



DNA™ 120-Monofacial

Solar for Innovators

Industry Leading 30 Years Product and Performance Warranty

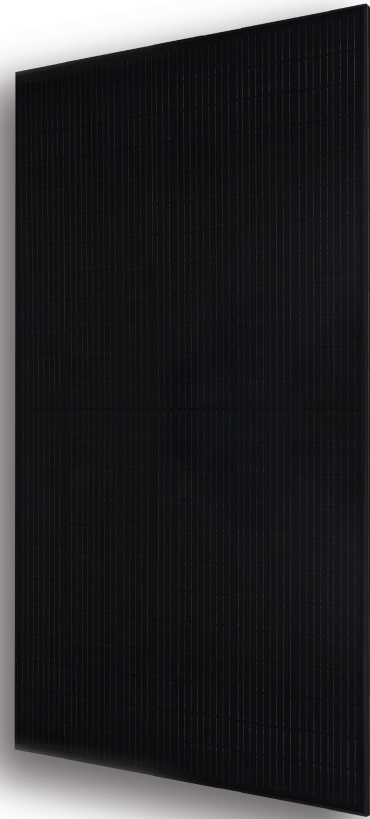
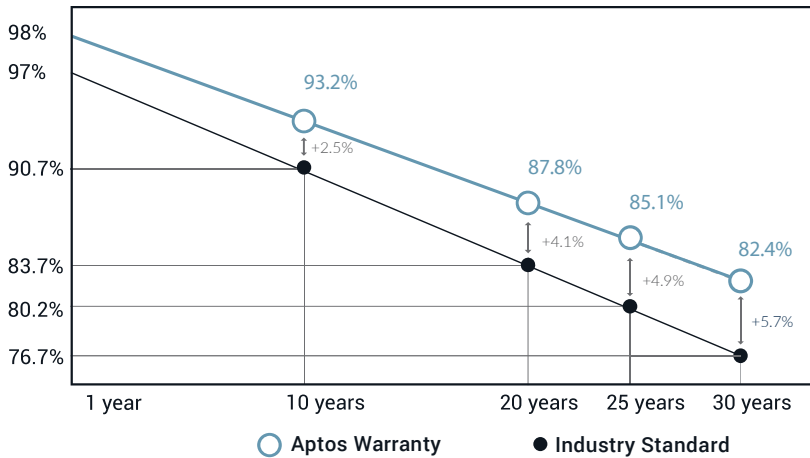
445W | 450W | 455W | 460W

DNA-120-MF10-460W

Residential | Commercial

Our DNA Split Cell Series uses advanced selective emitter PERC technology with thin film layers to improve heat tolerance, maximize energy harvest, minimize resistive loss, and use 5% more of the available active area for optimal power performance.

Linear Performance Warranty



Designed & Engineered In Silicon Valley

Key Features



Advanced Technology

Patented DNA™ technology boosts power performance & module efficiency.



Miami-Dade Approved

Maximum Durability: LEVEL 6 SALT MIST Tested, 5400 Pa Wind Load Certified Panels



Awards

Winners of the Leadership in Solar Energy award for three consecutive years and listed as one of the Top Solar Products from 2021-2022.



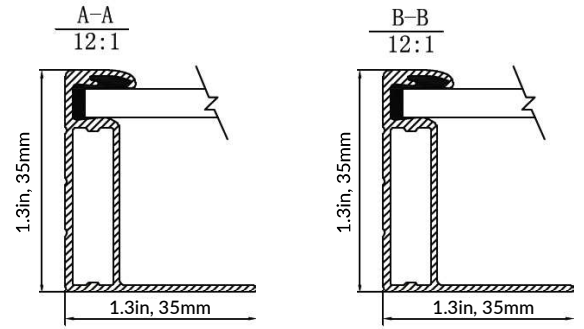
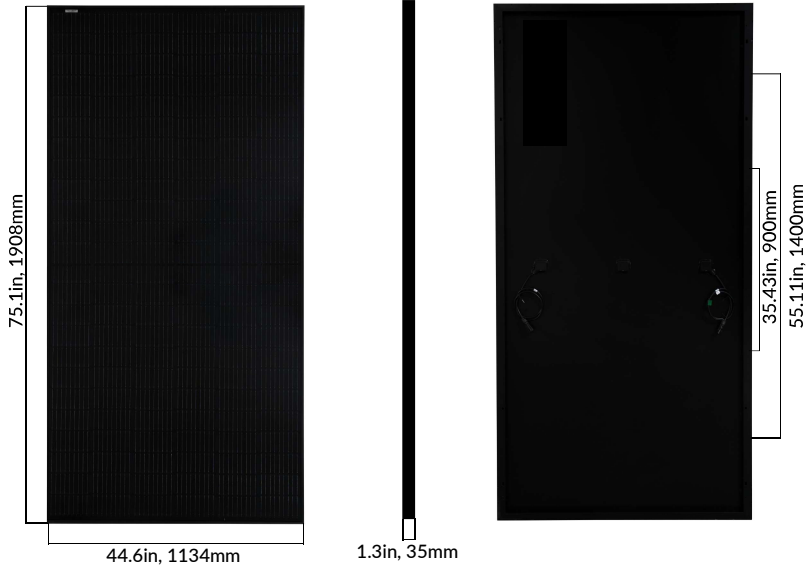
Bankable Investment

Comprehensive warranty that covers both **30-year product** and **30-year power** performance.



Aesthetics

All black design with advanced split cell technology features 10 ultra-thin busbars that allow for less resistance and greater energy harvest.



| Electrical Specifications | DNA-120-MF10-445W | | DNA-120-MF10-450W | | DNA-120-MF10-455W | | DNA-120-MF10-460W | |
|------------------------------------|-------------------|-------|-------------------|-------|-------------------|-------|-------------------|-------|
| | STC | NOCT | STC | NOCT | STC | NOCT | STC | NOCT |
| STC Rated Output P_{mpp} (W) | 445W | 333W | 450W | 336W | 455W | 341W | 460W | 344W |
| Open Circuit Voltage V_{oc} (V) | 41.79 | 39.42 | 41.79 | 39.50 | 41.88 | 39.58 | 41.97 | 39.67 |
| Short Circuit Current I_{sc} (A) | 13.36 | 11.89 | 13.51 | 11.99 | 13.63 | 12.09 | 13.75 | 12.20 |
| Rated Voltage V_{mp} (V) | 35.03 | 32.32 | 35.15 | 32.39 | 35.27 | 32.46 | 35.36 | 32.53 |
| Rated Voltage I_{mp} (A) | 12.70 | 10.31 | 12.80 | 10.40 | 12.90 | 10.49 | 13.00 | 10.58 |
| Module Efficiency | 20.57% | | 20.79% | | 21.03% | | 21.26% | |

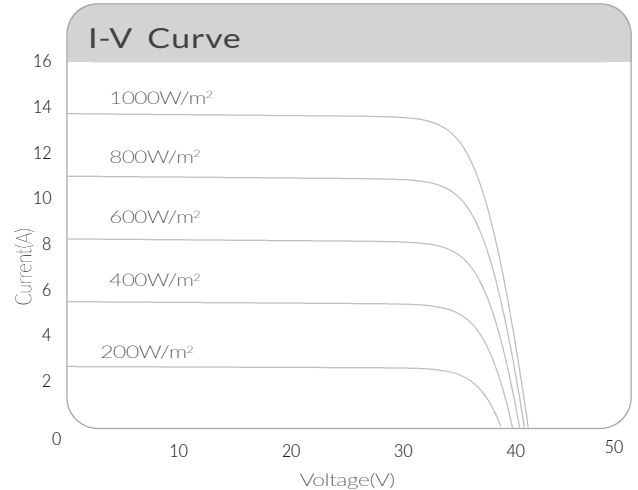
STC for front-face of panel: 1000 W/m², 25°C, measurement uncertainty $\pm 3\%$
NOCT for front-face of panel: 800W/m², 45°C, Wind speed 1 m/s

| Mechanical Properties | |
|-----------------------|---|
| Cell Type | SE-PERC |
| Glass | 3.2mm, anti-reflection coating, high transmission, low iron, tempered glass |
| Frame | Anodized Aluminum Alloy |
| Junction Box | IP68 |
| Dimensions | 75.1 X 44.6 X 1.3 in, 1908 X 1134 X 35 mm |
| Weight | 52.9lbs.(24.2kg) |
| Output Cable | 4mm ² (EU)12AWG,39.37in.(1200mm) |
| Cable Length | 47.2 in |
| Encapsulant | POE |
| Connector Type | Staubli EVO2 |

| Temperature Coefficients | |
|---|------------|
| Temperature Coefficients P_{mpp} | -0.35%/°C |
| Temperature Coefficients I_{sc} | +0.054%/°C |
| Temperature Coefficients V_{oc} | -0.27%/°C |
| Nominal Operating Cell Temperature (NOCT) | 45±2°C |

| Test Operating Conditions | |
|-------------------------------------|---------------------------------------|
| Maximum Series Fuse | 25A |
| Maximum System Voltage | 1,500 VDC (UL&IEC) |
| Maximum Load Capacity (Per UL 1703) | 5400 PA Snow Load / 5400 Pa Wind Load |
| Fire Performance Type | Type 1 |

| Packaging Configuration | |
|---------------------------------------|---|
| Number of Modules per Pallet | 31 |
| Number of Pallets per 40ft. Container | 24 |
| Pallet Dimensions | 76.29 X 44.48 X 49.76 in, 1938 X 1130 X 1264 mm |
| Pallet Weight (lbs) | 1640 |
| Module per 40ft Container | 744 |



| Certifications | | | |
|----------------|-------------------------------------|--------------------------|--|
| | | | |
| | Intertek UL61730-1, UL61730-2 | IEC61730-1 IEC61730-2 | |



8207 Callaghan Rd, Ste 100,
San Antonio, Texas 78230
www.aptosolar.com | sales@aptosolar.com