



## Industry Leading 30 Years Product and Performance Warranty

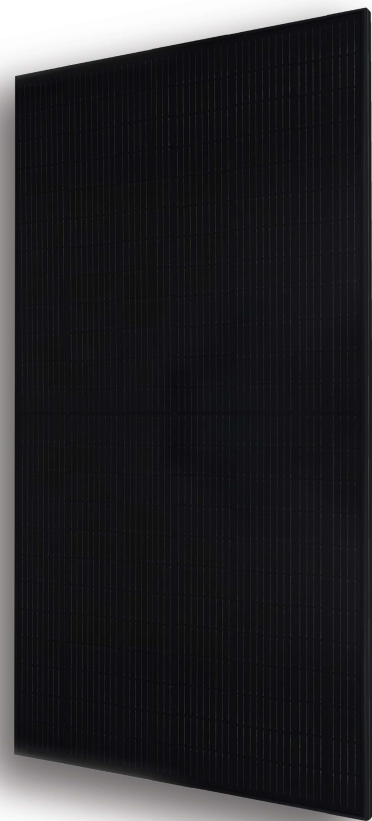
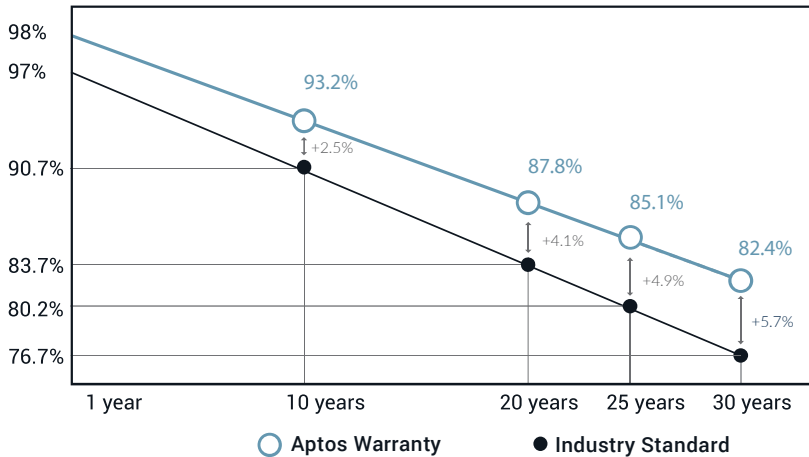
### DNA-108-BF10-410W

Residential | Commercial

Our DNA Split Cell Series uses advanced selective emitter PERC technology with thin film layers to improve heat tolerance, maximize energy harvest, minimize resistive loss, and use 5% more of the available active area for optimal power performance.

400W | 405W | 410W

### Linear Performance Warranty



Designed & Engineered In Silicon Valley

### Key Features



#### Advanced Technology

Patented DNA™ technology boosts power performance & module efficiency.



#### Miami-Dade Approved

Maximum Durability: LEVEL 6 SALT MIST Tested, 5400 Pa Wind Load Certified Panels.



#### Awards

Winners of the Leadership in Solar Energy award for three consecutive years and listed as one of the Top Solar Products from 2021-2022.



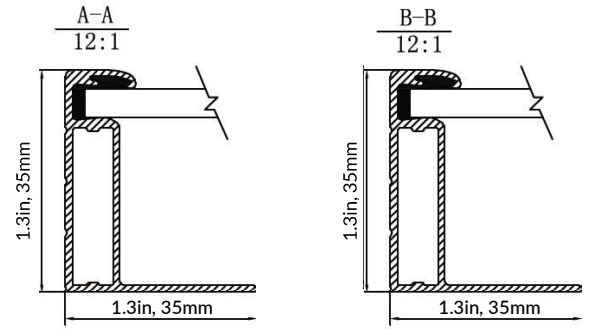
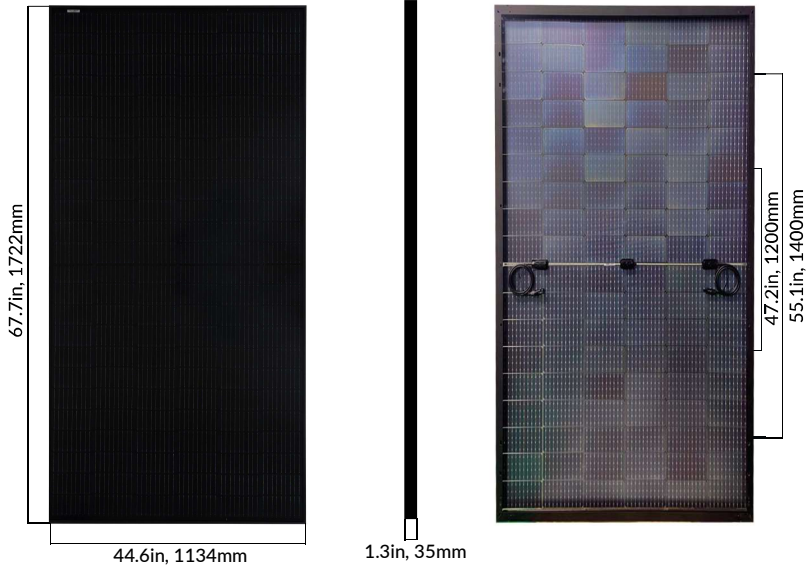
#### Bankable Investment

Comprehensive warranty that covers both **30-year product** and **30-year power** performance.



#### Aesthetics

All black design with advanced split cell technology features 10 ultra-thin busbars that allow for less resistance and greater energy harvest.



## Electrical Specifications

	DNA-108-BF10-400W		DNA-108-BF10-405W		DNA-108-BF10-410W	
	STC	NOCT	STC	NOCT	STC	NOCT
Rated Output $P_{mp}$ (W)	400W	303W	405W	308W	410W	312W
Open Circuit Voltage $V_{oc}$ (V)	37.18	35.23	37.42	35.47	37.67	35.71
Short Circuit Current $I_{sc}$ (A)	12.99	11.19	13.05	11.25	13.11	11.31
Rated Voltage $V_{mp}$ (V)	32.58	28.81	32.83	29.05	33.08	29.29
Rated Voltage $I_{mp}$ (A)	12.27	10.54	12.33	10.60	12.39	10.66
Module Efficiency	20.48%		20.74%		20.96%	

STC for front-face of panel: 1000 W/m<sup>2</sup>, 25°C, measurement uncertainty  $\pm$ 3%  
NOCT for front-face of panel: 800W/m<sup>2</sup>, 45°C, Wind speed 1 m/s

## Bifacial Output-Rearside Power Gain

5%-Maximum Power (Pmax)	420W	425W	431W
5%-Module Efficiency STC(%)	21.51%	21.78%	22.05%
15%-Maximum Power (Pmax)	460W	467W	472W
15%-Module Efficiency STC(%)	23.56%	23.85%	24.15%
25%-Maximum Power (Pmax)	500W	506W	513W
25%-Module Efficiency STC(%)	25.60%	25.93%	26.25%

## Test Operating Conditions

Maximum Series Fuse	30A
Maximum System Voltage	1,500 VDC (UL&IEC)
Maximum Load Capacity (Per UL 1703)	5400 PA Snow Load / 5400 Pa Wind Load
Fire Performance Type	Type 1

## Temperature Coefficients

Temperature Coefficients $P_{mp}$	-0.32%/°C
Temperature Coefficients $I_{sc}$	+0.03%/°C
Temperature Coefficients $V_{oc}$	-0.24%/°C
Normal Operating Cell Temperature (NOCT)	45°C $\pm$ 2°C

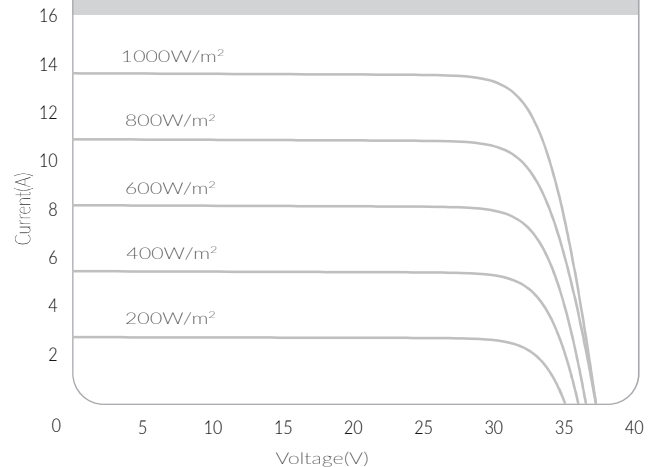
## Packaging Configuration

Modules per Pallet	31
Pallets per 40ft. Container	26
Pallet Dimensions	68.97 X 44.48 X 49.76 in
Pallet Weight (lbs)	1503.5
Modules per 40ft. Container	806

## Mechanical Properties

Cell Type	SE-PERC
Glass	3.2mm, anti-reflection coating, high transmission, low iron, tempered glass
Frame	Anodized Aluminum Alloy
Junction Box	IP68
Dimensions	67.7 X 44.6 X 1.3 in, 1722 X 1134 X 35 mm
Weight	48.5 lbs
Output Cable	4mm <sup>2</sup> (EU)12AWG,39.37in
Cable Length	47.2in, 1200mm
Connector Type	Staubli EVO2

## I-V Curve



## Certifications

