



DNA™ 108-Monofacial

Solar for Innovators

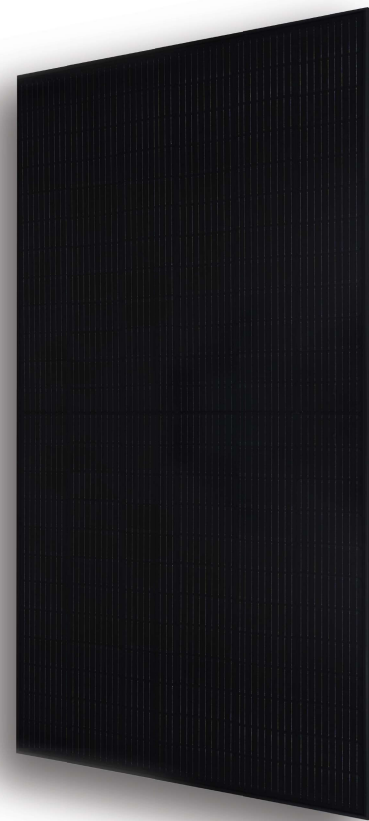
Industry Leading 30 Years Product and Performance Warranty

DNA-108-MF10-410W

Residential | Commercial

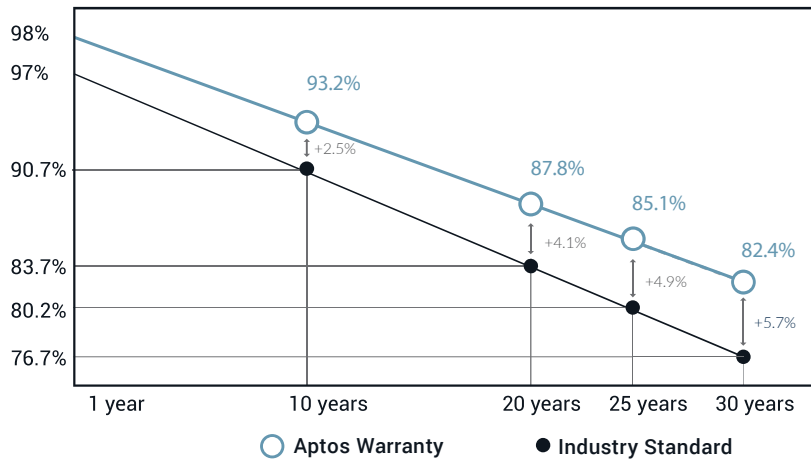
Our DNA Split Cell Series uses advanced selective emitter PERC technology with thin film layers to improve heat tolerance, maximize energy harvest, minimize resistive loss, and use 5% more of the available active area for optimal power performance.

400W | 405W | 410W



Designed & Engineered In Silicon Valley

Linear Performance Warranty



Key Features



Advanced Technology

Patented DNA™ technology boosts power performance & module efficiency.



Miami-Dade Approved

Maximum Durability: LEVEL 6 SALT MIST Tested, 5400 Pa Wind Load Certified Panels



Awards

Winners of the Leadership in Solar Energy award for three consecutive years and listed as one of the Top Solar Products from 2021-2022.



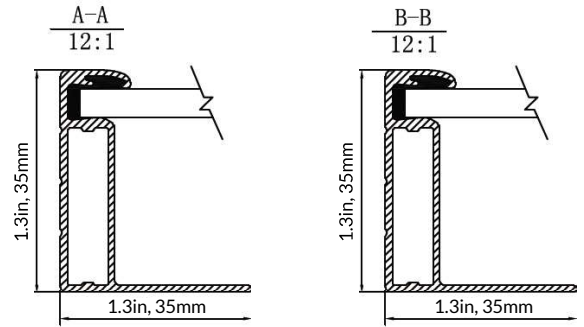
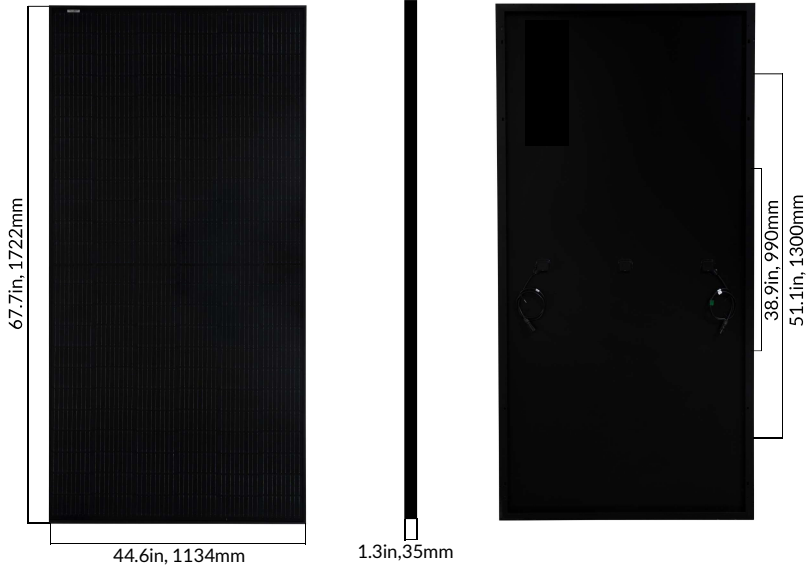
Bankable Investment

Comprehensive warranty that covers both **30-year product** and **30-year power** performance.



Aesthetics

All black design with advanced split cell technology features 10 ultra-thin busbars that allow for less resistance and greater energy harvest.



Electrical Specifications	DNA-108-MF10-400W		DNA-108-MF10-405W		DNA-108-MF10-410W	
	STC	NOCT	STC	NOCT	STC	NOCT
Rated Output P_{mpp} (W)	400W	295W	405W	300W	410W	304W
Open Circuit Voltage V_{oc} (V)	37.04	34.75	37.23	34.94	37.32	35.13
Short Circuit Current I_{sc} (A)	13.79	11.00	13.87	11.08	13.95	11.16
Rated Voltage V_{mpp} (V)	32.47	28.35	32.68	28.55	32.93	28.75
Rated Current I_{max} (A)	12.31	10.41	12.39	10.49	12.45	10.57
Module Efficiency	20.47%		20.74%		21.00%	

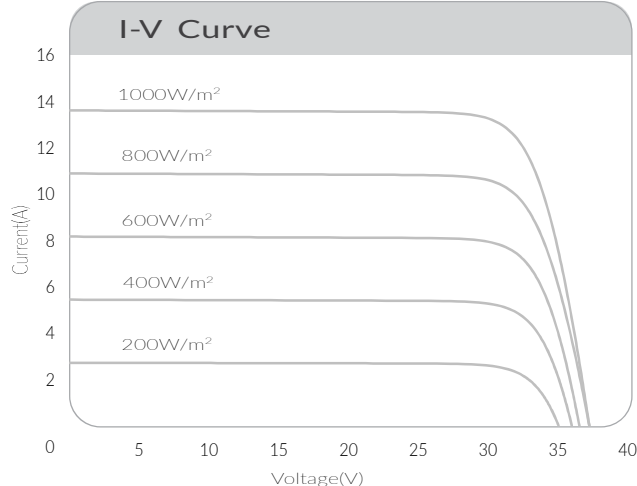
STC for front-face of panel: 1000 W/m², 25°C, measurement uncertainty ±3%
NOCT for front-face of panel: 800W/m², 45°C, Wind speed 1 m/s

Mechanical Properties	
Cell Type	SE-PERC
Glass	3.2mm, anti-reflection coating, high transmission, low iron, tempered glass
Frame	Anodized Aluminum Alloy
Junction Box	IP68
Dimensions	67.7 X 44.6 X 1.3 in, 1722 X 1134 X 35 mm
Weight	48.5lbs. (21.5kg)
Output Cable	4mm ² (EU)12AWG, 39.37in. (1200mm)
Cable Length	47.2 in
Encapsulant	POE
Connector Type	Staubli EVO2

Temperature Coefficients	
Temperature Coefficients P_{mpp}	-0.35%/°C
Temperature Coefficients I_{sc}	+0.054%/°C
Temperature Coefficients V_{oc}	-0.27%/°C
Nominal Operating Cell Temperature (NOCT)	45°C

Test Operating Conditions	
Maximum Series Fuse	25A
Maximum System Voltage	1,500 VDC (UL&IEC)
Maximum Load Capacity (Per UL 1703)	5400 PA Snow Load / 5400 Pa Wind Load
Fire Performance Type	Type 1

Packaging Configuration	
Number of Modules per Pallet	31
Number of Pallets per 40ft. Container	26
Pallet Dimensions	68.97 X 44.48 X 49.76 in, 1752 X 1130 X 1264 mm
Pallet Weight (lbs)	1503.5
Modules per 40ft. Container	806



Certifications			
	Intertek UL61730-1, UL61730-2	IEC61730-1 IEC61730-2	